

DH-IPC-HFW2320R-ZS/VFS

3MP HD Network IR Bullet Camera



Features

- 1/3" 3Megapixel progressive CMOS
- H.264 & MJPEG dual-stream encoding
- Max 20fps@3M(2304x1296) (2048x1536) &25/30fps@1080P(1920 x1080)
- DWDR, Day/Night(ICR), 3DNR, AWB, AGC, BLC
- Multiple network monitoring: Web viewer, CMS(DSS/PSS) & DMSS
- 2.7~12mm varifocal lens
- Max IR LEDs Length 30m
- IP67, PoE
- Micro SD card slot, up to 128GB

DH-IPC-HFW2320R-ZS/VFS

Technical Specifications

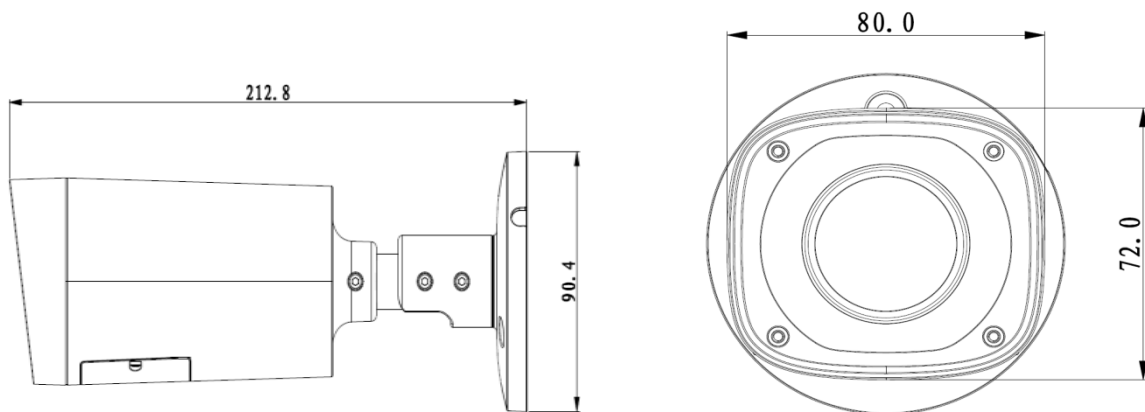
Model	DH-IPC-HFW2320R-VFS		DH-IPC-HFW2320R-ZS	
Camera				
Image Sensor	1/3" 3Megapixel progressive scan CMOS			
Effective Pixels	2304(H)x1536(V)			
Scanning System	Progressive			
Electronic Shutter Speed	Auto/Manual, 1/3(4)~1/100000s			
Min. Illumination	0. 01Lux/F1.4 (Color), 0Lux/F1.4(IR on)			
S/N Ratio	More than 50dB			
Video Output	N/A			
Camera Features				
Max. IR LEDs Length	30m			
Day/Night	Auto(ICR)/Color/B/W			
Backlight Compensation	BLC / HLC / DWDR			
White Balance	Auto/Manual			
Gain Control	Auto/Manual			
Noise Reduction	3D			
Privacy Masking	Up to 4 areas			
Lens				
Focal Length	2.7mm~12mm		2.7mm~12mm	
Max Aperture	F1.4		F1.4	
Focus Control	Manual		Auto	
Angle of View	H: 92° ~ 28°		H: 92° ~ 28°	
Lens Type	Manual/ Fixed Iris		Motorized/ Fixed Iris	
Mount Type	Board-in Type		Board-in Type	
Video				
Compression	H.264/ H.264H/ MJPEG			
Resolution	3M(2304x1296) (2048x1536)/1080P(1920x1080)/1.3M(1280×960) /720P(1280×720)/D1(704×576/704×480)/CIF(352×288/352×240)			
Frame Rate	Main Stream	3M(1 ~ 20fps)/1080P (1 ~ 25/30fps)		
	Sub Stream	D1/CIF(1 ~ 25/30fps)		
Bit Rate	H.264H: 40K ~ 8192Kbps;			
Audio				
Compression	N/A			
Interface	N/A			
Network				
Ethernet	RJ-45 (10/100Base-T)			
Wi-Fi	N/A			
Protocol	IPv4/IPv6, HTTP, HTTPS, SSL, TCP/IP, UDP, UPnP, ICMP, IGMP, SNMP, RTSP, RTP, SMTP, NTP, DHCP, DNS, PPPOE, DDNS, FTP, IP Filter, QoS, Bonjour			
Compatibility	ONVIF, CGI			
Max. User Access	20 users			

DH-IPC-HFW2320R-ZS/VFS

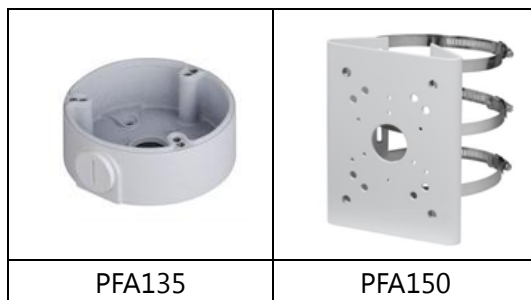
Smart Phone	iPhone, iPad, Android, Windows Phone	
Auxiliary Interface		
Memory Slot	Micro SD , Max 128GB	
RS485	N/A	
Alarm	N/A	
PIR Sensor Range	N/A	
General		
Power Supply	DC12V/PoE (802.3af)	
Power Consumption	<5.5W	<8.5W
Working Environment	-30°C~+60°C, Less than 95% RH	
Ingress Protection	IP67	
Vandal Resistance	N/A	
Dimensions	72mm×80mm×212.8mm	
Weight	0.65kg	

DH-IPC-HFW2320R-ZS/VFS

Dimensions (mm)



Accessory (optional)



Dahua Technology Co., Ltd.

1199 BinAn Road, Binjiang District, Hangzhou, China

Tel: +86-571-87688883

Fax: +86-571-87688815

Email: overseas@dahuatech.com

www.dahuasecurity.com

*Design and specifications are subject to change without notice.

© 2015 Dahua Technology Co., Ltd.